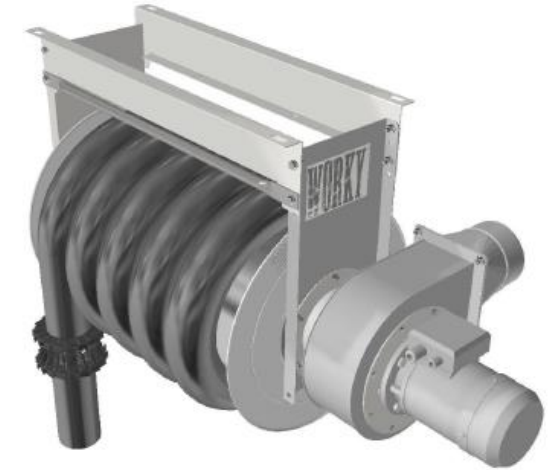
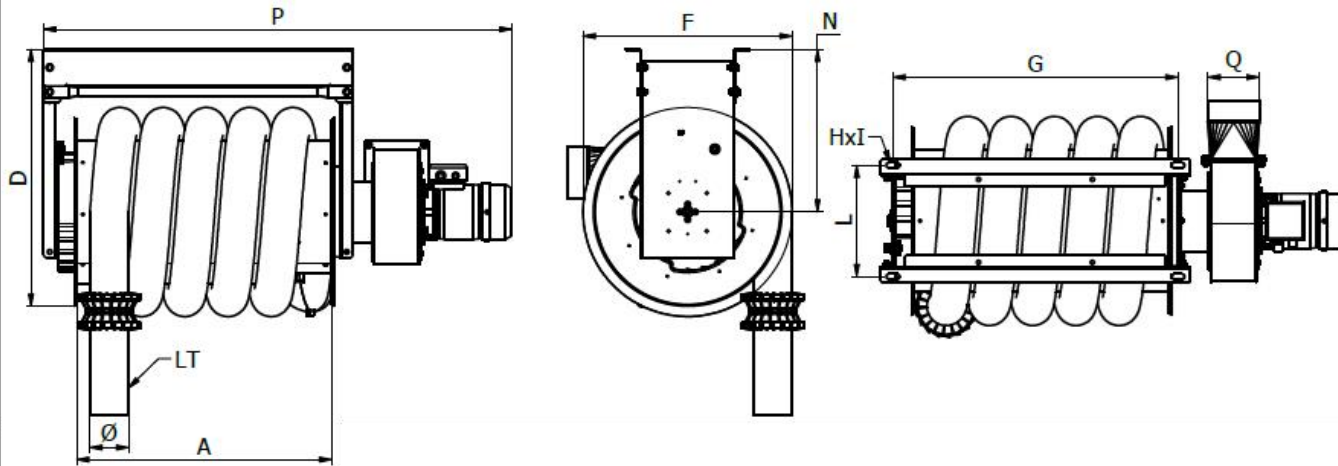


# GMRF+ technical datasheet



COD.	GMRF+												
	Ø [mm]	LT [m]	HP/kw	A [mm]	D [mm]	F [mm]	G [mm]	HxI [mm]	L [mm]	P [mm]	Q [mm]	N [mm]	Kg
GMRF+1007.5	100	7.5	0.5/0.37	630	685	578	702	20x14	274	1179	125	401	44
GMRF+10010		10	0.5/0.37	800	685	578	2x436		274	1335	125	401	50
GMRF+10012.5		12.5	0.5/0.37	850	818	678	2x424,5		324	1386	125	484	63
GMRF+10015		15	1/0.75	1080	843	678	3x360		324	1661	160	484	75

**ELWICO**

ELWICO SERWIS SP. Z O.O. SP. K. Tel. +48 22 867-55-13, 22 662-49-43

Ul. W. Kadłubka 35,

02-496 Warszawa

Tel. kom. +48 501-496-829

biuro@elwico.com.pl www.elwico.com.pl