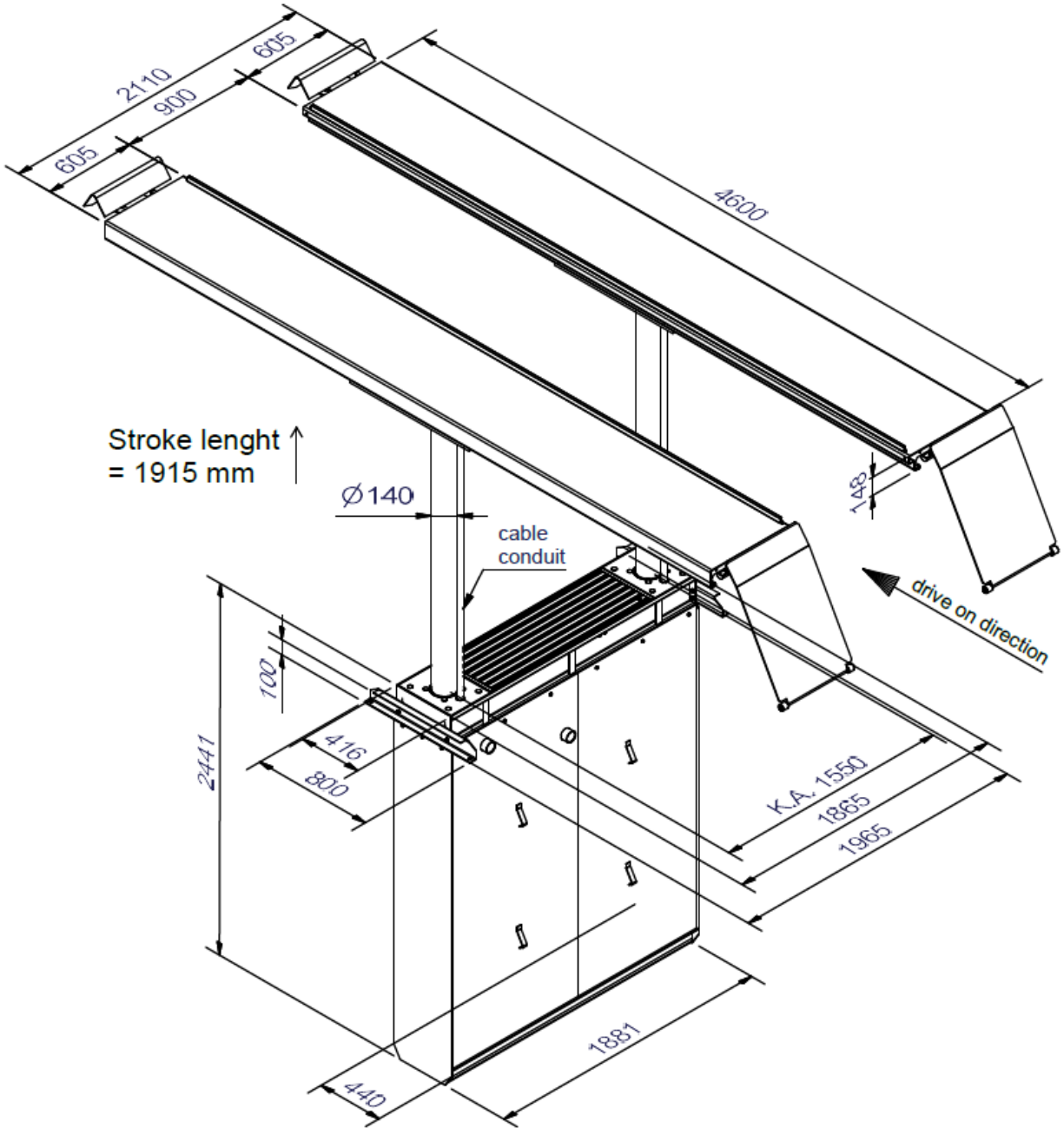


Masterlift 2.40 NxT F 460

unilateral drive-on ramps,
unilateral stoppers



Dimensional sketch including drive-over heights